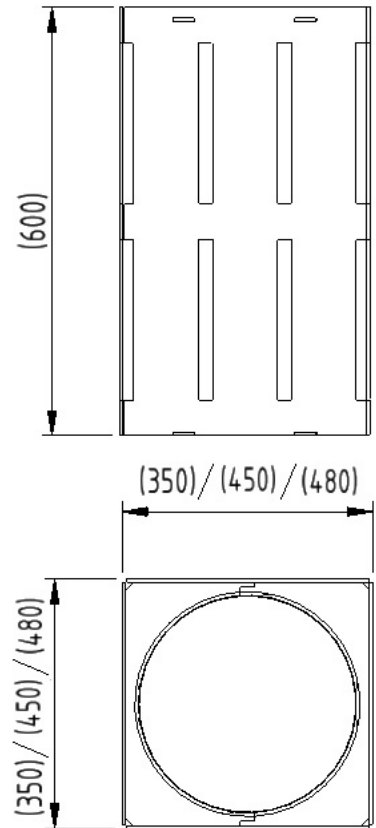
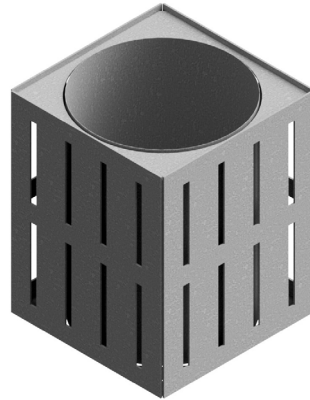
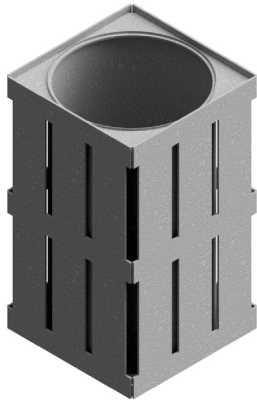




Triton Litter Bin

Galvanised, Galvanised & Colour or Stainless



The AUTOPA Triton Litter Bin is ideal for use in high traffic public areas such as high streets and parks. With a simple and stylish design, this bin is designed to complement the Triton range of street furniture. Supplied with a galvanised steel liner as standard, the base of the bin can be bolted onto the floor for added security.

The Triton Litter Bin is supplied in galvanised mild steel, or stainless steel. Galvanised and powder coated is an optional extra (RAL number must be stated at time of order).

Part Number	Description	Weight (kg)
138 118 071	45L Galvanised	26kg
138 118 072	45L Galvanised & Colour	26kg
138 118 073	45L Stainless Steel Grade 304	26kg
138 118 074	75L Galvanised	34kg
138 118 075	75L Galvanised & Colour	34kg
138 118 076	75L Stainless Steel Grade 304	34kg
138 118 077	90L Galvanised	36kg
138 118 078	90L Galvanised & Colour	36kg
138 118 079	90L Stainless Steel Grade 304	36kg

Product details

- 600mm height
- 45L, 75L or 90L Capacity
- Price excludes fixing down bolts
- Complete with a galvanised steel liner

Installation & use

Bases are pre-drilled ready for bolting down onto a suitable concrete foundation by means of two 12mm anchor bolts. This product is guaranteed for 12 months (if installed and used correctly)



www.autopa.co.uk
+44 (0)1788 550556

AUTOPA Limited
Cottage Leap, Rugby, Warwickshire CV21 3XP

