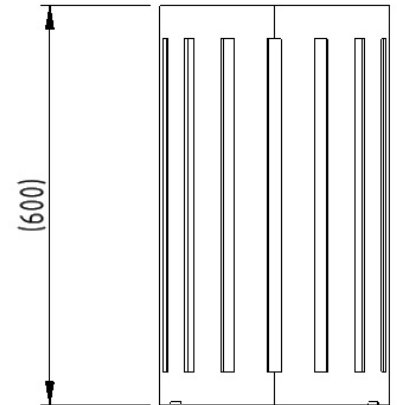




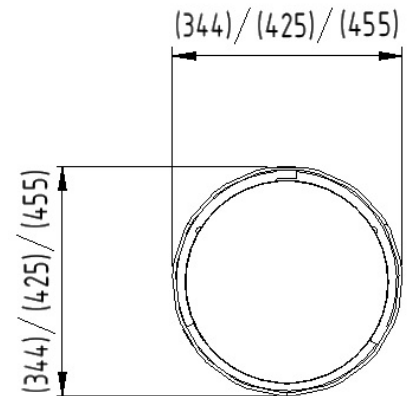
Haddon Litter Bin

Galvanised, Galvanised & Colour or Stainless



The AUTOPA Haddon Litter Bin is ideal for use in high traffic public areas such as high streets and parks. With a simple and stylish design, this bin is designed to complement the Haddon range of street furniture. Supplied with a galvanised steel liner as standard, the base of the bin can be bolted onto the floor for added security.

The Haddon Litter Bin is supplied in galvanised mild steel, or stainless steel. Galvanised and powder coated is an optional extra (RAL number must be stated at time of order).



Part Number	Description	Weight (kg)
138 118 051	45L Galvanised	20kg
138 118 052	45L Galvanised & Colour	20kg
138 118 053	45L Stainless Steel Grade 304	20kg
138 118 054	75L Galvanised	25kg
138 118 055	75L Galvanised & Colour	25kg
138 118 056	75L Stainless Steel Grade 304	25kg
138 118 057	90L Galvanised	27kg
138 118 058	90L Galvanised & Colour	27kg
138 118 059	90L Stainless Steel Grade 304	27kg

Product details

- 600mm height
- 45L, 75L or 90L Capacity
- Price excludes fixing down bolts
- Complete with a galvanised steel liner

Installation & use

Bases are pre-drilled ready for bolting down onto a suitable concrete foundation by means of two 12mm anchor bolts. This product is guaranteed for 12 months (if installed and used correctly)



www.autopa.co.uk
+44 (0)1788 550556

AUTOPA Limited
Cottage Leap, Rugby, Warwickshire CV21 3XP

