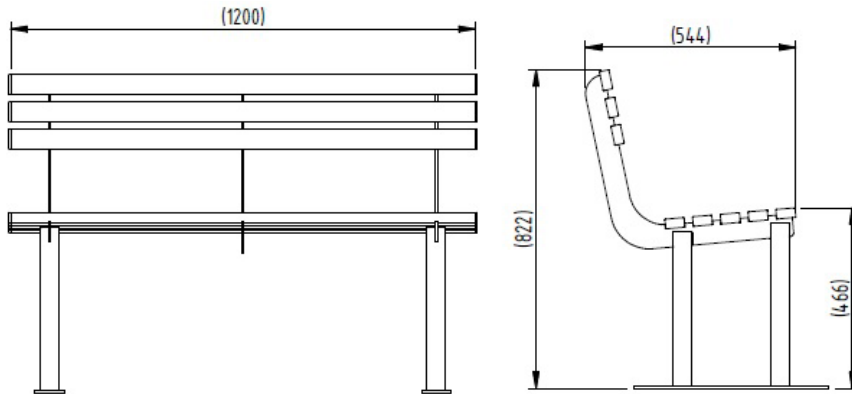




# Weldon Seat 1200mm Galvanised, Galvanised & Colour or Stainless



With a simple and traditional design, the Weldon Seat from AUTOPA is perfect for use in busy public spaces like schools, parks and playgrounds. Manufactured from galvanised mild steel, this robust range will complement any site, looking good for many years with only minimal maintenance.

The Weldon Seat is supplied in galvanised mild steel, or stainless steel. Galvanised and powder coated is an optional extra (RAL number must be stated at time of order).

Available concrete in and bolt down.



Part Number	Description	Weight (kg)
138 117 094R	Weldon Seat, Galvanised - Concrete In	38kg
138 117 094RC	Weldon Seat, Galvanised & Colour - Concrete In	38kg
138 117 095R	Weldon Seat, Stainless Steel Grade 304 - Concrete In	35kg
138 117 094	Weldon Seat, Galvanised - Bolt Down	38kg
138 117 094C	Weldon Seat, Galvanised & Colour - Bolt Down	38kg
138 117 095	Weldon Seat, Stainless Steel Grade 304 - Bolt Down	35kg

## Product details

- 1200mm x 544mm x 822mm (length x width x height)
- 466mm (seat height)
- Galvanised/galvanised & coated complete with plastic end caps
- Concrete in 300mm (below ground)
- Flange plate – 500mm x 75mm x 5mm
- Each bench requires 8 x 12mm bolts

## Installation & use

Supplied fully welded for easy installation on site.

Bolt down versions require bolting to an appropriate concrete surface by means of 12mm bolts.

Concrete in versions require an excavated hole for installation.

Clean off any concrete splashes after installation. Always allow sufficient time for concrete to cure before usage.

These products are guaranteed for 12 months (if installed and used correctly).



[www.autopa.co.uk](http://www.autopa.co.uk)  
+44 (0)1788 550556

AUTOPA Limited  
Cottage Leap, Rugby, Warwickshire CV21 3XP

