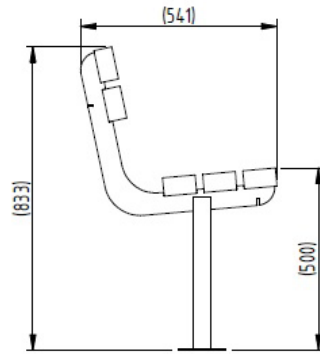
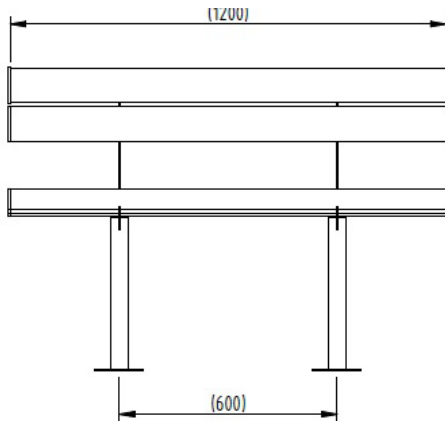




Gretton Seat 1200mm Galvanised or Galvanised & Colour



With a simple and traditional design, the Gretton Seat from AUTOPA is perfect for use in busy public spaces like schools, parks and playgrounds. Manufactured from galvanised mild steel, this robust range will complement any site, looking good for many years with only minimal maintenance.

The Gretton Seat is supplied in galvanised mild steel. Galvanised and powder coated is an optional extra (RAL number must be stated at time of order).

Available concrete in and bolt down.

Part Number	Description	Weight (kg)
138 117 082R	Gretton Seat, Galvanised - Concrete In	44kg
138 117 082RC	Gretton Seat, Galvanised & Colour - Concrete In	44kg
138 117 082	Gretton Seat, Galvanised - Bolt Down	44kg
138 117 082C	Gretton Seat, Galvanised & Colour - Bolt Down	44kg

Product details

- 1200mm x 541mm x 833mm (length x width x height)
- 500mm (seat height)
- Complete with plastic end caps
- Concrete in 300mm (below ground)
- Round flange plate – 133mm x 5mm
- Each seat requires 6 x 12mm bolts

Installation & use

Supplied fully welded for easy installation on site.

Bolt down versions require bolting to an appropriate concrete surface by means of 12mm bolts.

Concrete in versions require an excavated hole for installation.

Clean off any concrete splashes after installation. Always allow sufficient time for concrete to cure before usage.

These products are guaranteed for 12 months (if installed and used correctly).



www.autopa.co.uk
+44 (0)1788 550556

AUTOPA Limited
Cottage Leap, Rugby, Warwickshire CV21 3XP

