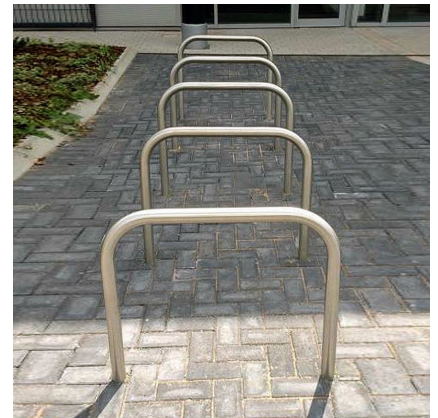


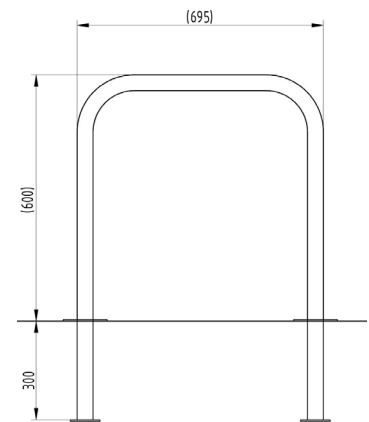


# Junior Sheffield Cycle Stand Galvanised, Galvanised & Coated or Stainless



The Junior Sheffield Cycle Stand is a smaller version of the ever popular Sheffield Cycle Stand. The stand allows the frame of the bicycle to be secured by the users own security lock. Suitable for securing two bicycles.

The practical and durable nature of the Junior Sheffield cycle stand ensures it will give years of service.



<u>Part Number</u>	<u>Description</u>	<u>Weight (kg)</u>
138 515 245	Galvanised - Concrete In	8kg
138 515 240	Galvanised - Bolt Down	7kg
138 515 246	Galvanised & Black - Concrete In	8kg
138 515 241	Galvanised & Black - Bolt Down	7kg
138 515 247	Galvanised & Colour - Concrete In	8kg
138 515 272	Galvanised & Colour - Bolt Down	7kg
138 515 249	Stainless Steel Grade 304 - Concrete In	8kg
138 515 244	Stainless Steel Grade 304 - Bolt Down	7kg

## Product details

- 48mm diameter tube
- 600mm x 695mm (height x length)
- Concrete in 300mm (below ground)
- Round flange plate – 133mm x 5mm
- Each stand requires 6 bolts (bolt down)

## Installation & use

Bolt down to a suitable concrete surface.  
Telescopic, removable and concrete in are supplied with welded fixing spikes to ensure firm ground anchorage into concrete.  
Telescopic, removable and concrete in require a suitable excavated hole for installing into concrete.  
Products are guaranteed for 12 months (if installed and used correctly).



[www.autopa.co.uk](http://www.autopa.co.uk)  
+44 (0)1788 550556

AUTOPA Limited  
Cottage Leap, Rugby, Warwickshire CV21 3XP

