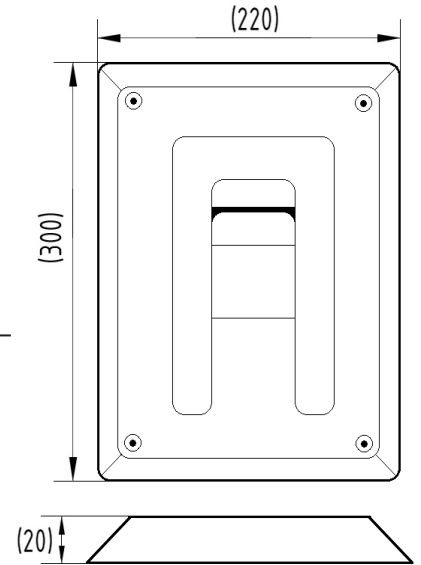




Motorcycle Locking Loop Bolt Down 1 Holder Galvanised



The Motorcycle Locking Loop - Bolt Down is ideal for securing motorcycles. The Loop is bolted onto the ground providing a very high level of security when used with the motorcyclists own locking chain. The lock loop is designed so it can be operated with gloves on and when not in use presents only a minimal trip hazard (The unit is only 20mm above ground). 4 x high security shear nuts and bolts are supplied for installation.

The loop is fabricated from 20mm solid galvanised steel plate and is therefore extremely strong and durable. The Motorcycle Locking Loop - Bolt Down is finished in galvanised mild steel making it ideal for use outside where it will retain it's looks for years.

<u>Part Number</u>	<u>Description</u>	<u>Weight (kg)</u>
138 200 260	Motorcycle Locking Loop Bolt Down	5kg

Product details

- 20mm solid steel plate
- 20mm x 220mm x 300mm (height x width x length)
- Includes 4 x high security shear nuts and bolts
- Galvanised mild steel
- Excludes locking chain

Installation & use

Installation requires fixing the plate down to an existing concrete surface with the supplied nuts and bolts. Allow 800-1,000mm between loops and a minimum of 450mm from any obstruction. This product is guaranteed for 12 months (if installed and used correctly).



www.autopa.co.uk
+44 (0)1788 550556

AUTOPA Limited
Cottage Leap, Rugby, Warwickshire CV21 3XP

