



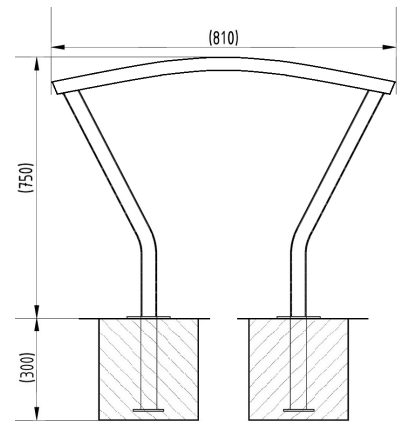
Dallington Cycle Stand

Galvanised, Galvanised & Colour or Stainless



The Dallington Cycle Stand is a shaped tubular cycle stand. The design allows the frame of the bicycle to be secured by the users own security lock. The Dallington Cycle Stand is suitable for securing two bicycles. The Dallington Cycle Stand is available in galvanised steel, Grade 304 and Grade 316 Stainless Steel, with raggedfeet for casting into new concrete or flanged feet for bolting to an existing surface.

The practical and durable nature of the Dallington Cycle Stand stand ensures that the stand will complement any environment and offers an aesthetically pleasing alternative to the Sheffield Cycle Stand.



<u>Part Number</u>	<u>Description</u>	<u>Weight (kg)</u>
138 515 235	Galvanised - Concrete In	10kg
138 515 230	Galvanised - Bolt Down	10kg
138 515 236	Galvanised & Black - Concrete In	10kg
138 515 231	Galvanised & Black - Bolt Down	10kg
138 515 237	Galvanised & Colour - Concrete In	10kg
138 515 232	Galvanised & Colour - Bolt Down	10kg
138 515 239	Stainless Steel Grade 304 - Concrete In	10kg
138 515 234	Stainless Steel Grade 304 - Bolt Down	10kg

Product details

- 48mm diameter
- 750mm x 810mm (height x length)
- Concrete in 300mm (below ground)
- Round flange plate – 133mm x 5mm
- Each stand requires 6 bolt (bolt down)

Installation & use

Bolt down to a suitable concrete surface.
 Telescopic, removable and concrete in are supplied with welded fixing spikes to ensure firm ground anchorage into concrete.
 Telescopic, removable and concrete in require a suitable excavated hole for installing into concrete.
 Products are guaranteed for 12 months (if installed and used correctly).



www.autopa.co.uk
 +44 (0)1788 550556

AUTOPA Limited
 Cottage Leap, Rugby, Warwickshire CV21 3XP

