



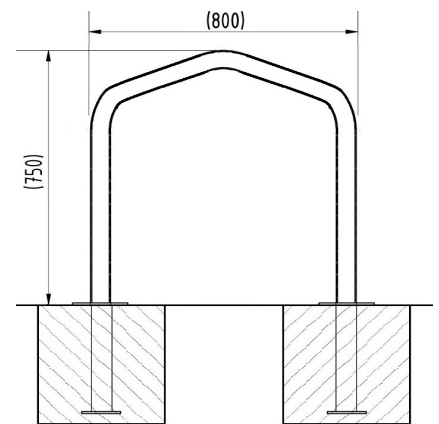
# Ashby Cycle Stand

## Galvanised, Galvanised & Colour or Stainless



The Ashby Cycle Stand is a shaped tubular cycle stand. The design allows the frame of the bicycle to be secured by the users own security lock. The Ashby Cycle Stand is suitable for securing two bicycles. The Ashby Cycle Stand is available in galvanised steel and Grade 304, with ragged feet for casting into new concrete or flanged feet for bolting to an existing surface.

The practical and durable nature of the Ashby Cycle Stand stand ensures that the stand will complement any environment and offers an aesthetically pleasing alternative to the Sheffield Cycle Stand.



Part Number	Description	Weight (kg)
138 515 125	Galvanised - Concrete In	9kg
138 515 120	Galvanised - Bolt Down	8kg
138 515 126	Galvanised & Black - Concrete In	9kg
138 515 121	Galvanised & Black - Bolt Down	8kg
138 515 127	Galvanised & Colour - Concrete In	9kg
138 515 122	Galvanised & Colour - Bolt Down	8kg
138 515 129	Stainless Steel - Concrete In	9kg
138 515 124	Stainless Steel - Bolt Down	7kg

### Product details

- 48mm diameter tube
- 750mm x 800mm (height x length)
- Concrete in 300mm (below ground)
- Round flange plate – 133mm x 5mm
- Each stand requires 6 bolts (bolt down)

### Installation & use

Bolt down to a suitable concrete surface.  
 Telescopic, removable and concrete in are supplied with welded fixing spikes to ensure firm ground anchorage into concrete.  
 Telescopic, removable and concrete in require a suitable excavated hole for installing into concrete.  
 Products are guaranteed for 12 months (if installed and used correctly).



[www.autopa.co.uk](http://www.autopa.co.uk)  
 +44 (0)1788 550556

AUTOPA Limited  
 Cottage Leap, Rugby, Warwickshire CV21 3XP

