



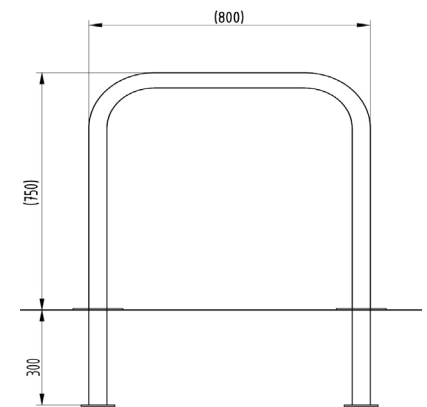
Sheffield Cycle Stand Stainless Steel



The tubular cycle stand, a familiar sight throughout the UK, allows the frame of the bicycle to be secured by the users own security lock.

Suitable for securing two bicycles.

The practical and durable nature of the Sheffield cycle stand ensures it has been consistently recommended by cycling groups since its introduction in the 1990's.



<u>Part Number</u>	<u>Description</u>	<u>Weight (kg)</u>
138 200 107	Stainless Steel Grade 304 - Concrete In	9kg
138 200 106	Stainless Steel Grade 304 - Bolt Down	7kg
138 200 108	Stainless Steel Grade 316 - Concrete In	9kg
138 200 100	Stainless Steel Grade 316 - Bolt Down	7kg

Product details

- 48mm diameter
- 750mm x 800mm (height x length)
- Concrete in 300mm (below ground)
- Round flange plate – 120mm x 5mm
- Each stand requires 6 bolts (bolt down)

Installation & use

Bolt down to a suitable concrete surface.
Telescopic, removable and concrete in are supplied with welded fixing spikes to ensure firm ground anchorage into concrete.
Telescopic, removable and concrete in require a suitable excavated hole for installing into concrete.
Products are guaranteed for 12 months (if installed and used correctly).



www.autopa.co.uk
+44 (0)1788 550556

AUTOPA Limited
Cottage Leap, Rugby, Warwickshire CV21 3XP

