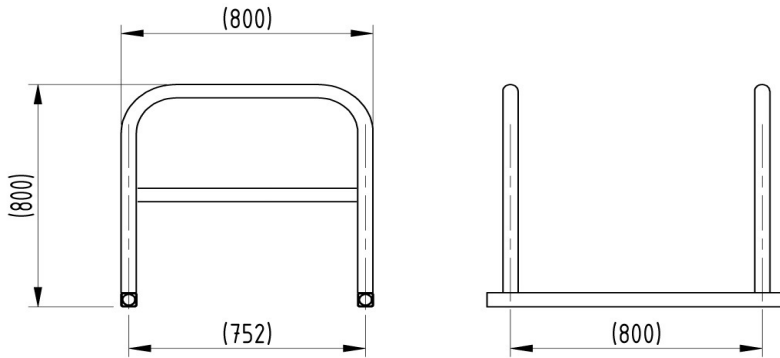




Bilton Cycle Toastrack Galvanised



The Bilton Cycle Toastrack is a floor fixed cycle rack based upon the Bilton Cycle Stand. The Bilton Cycle Toastrack consists of Bilton Cycle Stands welded at 800mm centres to floor fixed box section rails. The benefits of a Cycle Toastrack over individual stands are reduced installation costs and pre-determined gaps between stands, each stand is suitable for parking two bicycles. The Bilton Toastrack is ideal where cycle parking in large numbers is required.

The practical and durable nature of the Bilton Cycle Toastrack ensures that the rack is suitable for all environments where high density of cycle parking is required.



| <u>Part Number</u> | <u>Description</u> | <u>Weight (kg)</u> |
|--------------------|--|--------------------|
| 138 200 322 | 2 Stand Bilton Toastrack Galvanised & Colour | 21kg |
| 138 200 323 | 3 Stand Bilton Toastrack Galvanised & Colour | 35kg |
| 138 200 324 | 4 Stand Bilton Toastrack Galvanised & Colour | 49kg |
| 138 200 325 | 5 Stand Bilton Toastrack Galvanised & Colour | 63kg |

Product details

- 750mm x 800mm (height x width)
- 800mm distance between stands (centre to centre)
- Length varies per number of cycle stands
- Price excludes fixing down bolts
- 50mm x 50mm box section

Installation & use

Fix using M12 bolts to a suitable concrete surface.
First stand should be no closer than 400mm from nearest obstruction.
This product is guaranteed for 12 months (if installed and used correctly).



www.autopa.co.uk
+44 (0)1788 550556

AUTOPA Limited
Cottage Leap, Rugby, Warwickshire CV21 3XP

