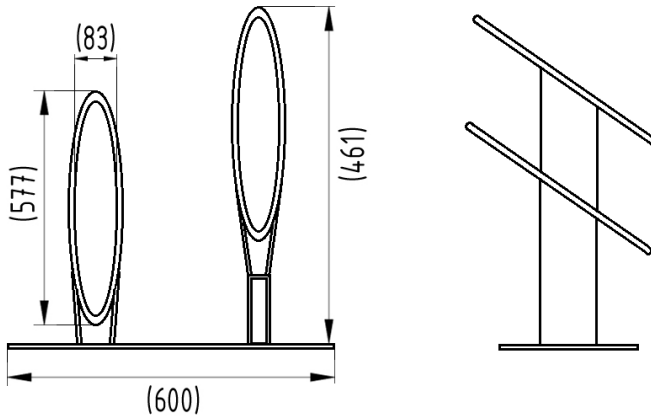




# Type H Cycle Rack Galvanised



The Type H Cycle Rack is floor fixed cycle rack designed to hold the front wheel of the cycle off the ground. The Type H Cycle Rack is available as a 2 bicycle holder with cycle parking centres at 350mm. Each holder allows the user to lock their cycle through the front wheel to the stand.

The practical and durable nature of the Type H Cycle Rack ensures that the rack is suitable for all environments where high density of cycle parking is required.



<u>Part Number</u>	<u>Description</u>	<u>Weight (kg)</u>
138 200 190	2 Holder Cycle Rack	25kg

## Product details

- 460mm x 600mm (height x width)
- 350mm distance between holders (centre to centre)
- 580mm x 83mm (length x width of holding hoop)
- Price excludes fixing down bolts

## Installation & use

Fix using three M12 bolts to a suitable concrete surface.  
First stand should be no closer than 400mm from nearest obstruction.  
This product is guaranteed for 12 months (if installed and used correctly).



[www.autopa.co.uk](http://www.autopa.co.uk)  
+44 (0)1788 550556

AUTOPA Limited  
Cottage Leap, Rugby, Warwickshire CV21 3XP

