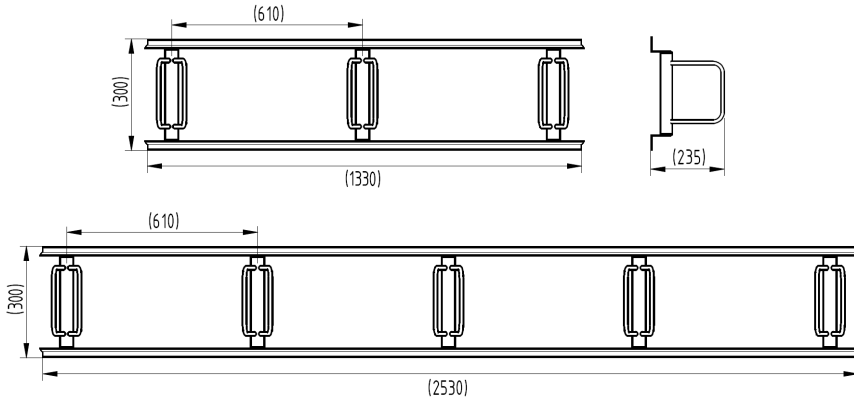




# Model R Cycle Rack Galvanised



The Model R Cycle Rack is a wall mounted cycle rack based upon the Model R Holder. The Model R Cycle Rack is available in Racks for 3 or 5 cycles, but can be manufactured to suit any number of cycles if required.

Each individual holder is based on the Model R Cycle Holder, with each holder at 610mm centres. The Model R Cycle Rack is designed to be bolted to a suitable concrete or brick wall.

The practical and durable nature of the Model R Cycle Rack ensures that the rack is suitable for all environments where high density of cycle parking is required.



<u>Part Number</u>	<u>Description</u>	<u>Weight (kg)</u>
138 200 073	3 Holder Model R Cycle Rack	12kg
138 200 070	5 Holder Model R Cycle Rack	20kg

## Product details

- 300mm x 235mm (height x width)
- 610mm distance between holders (centre to centre)
- Length varies per number of cycle holders
- Price excludes fixing down bolts
- 1330mm (3 holder length)
- 2530mm (5 holder length)

## Installation & use

Fix to a suitable concrete or brick wall using M10 bolts.  
Centre of holders should be located approximately 345mm from ground level.  
This product is guaranteed for 12 months (if installed and used correctly).



[www.autopa.co.uk](http://www.autopa.co.uk)  
+44 (0)1788 550556

AUTOPA Limited  
Cottage Leap, Rugby, Warwickshire CV21 3XP

