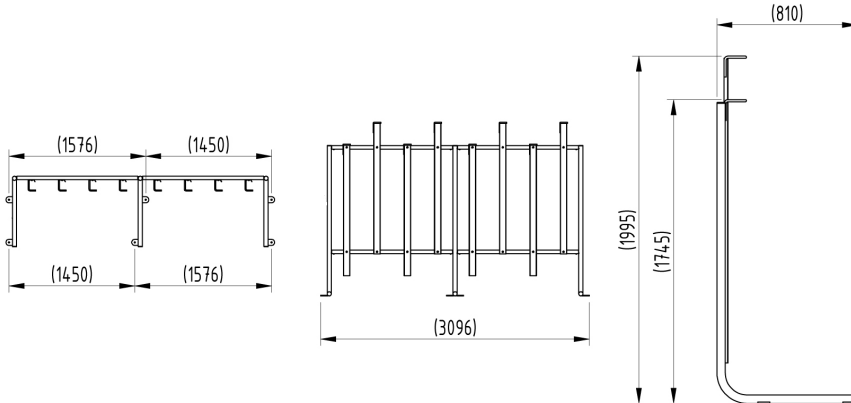




Vertical Cycle Rack Galvanised



The Vertical Cycle Rack is the perfect cycle storage solution for sites where space is at a premium. With a depth of only 810mm the Vertical Cycle Rack offers site owners a high density cycle parking area with a small footprint, making this ideal for use indoors.

Bicycles are held in position via the wheel holder at the top of the stand and the design allows the user to lock their bicycle in place through the stand for added security. Staggered holders are utilised to increase the density of the cycle parking area, reducing the amount of space required between the cycles to 350mm.

Highly durable, the Vertical Cycle rack is manufactured from mild steel and galvanised to ensure its longevity. Available Bolt down only.



Part Number	Description	Weight (kg)
138 200 382	2 Holder Vertical Cycle Rack	25kg
138 200 383	3 Holder Vertical Cycle Rack	29kg
138 200 384	4 Holder Vertical Cycle Rack	33kg
138 200 385	5 Holder Vertical Cycle Rack	37kg
138 200 386	6 Holder Vertical Cycle Rack	41kg
138 200 387	7 Holder Vertical Cycle Rack	45kg
138 200 388	8 Holder Vertical Cycle Rack	49kg

Product details

- 2000mm x 810mm (height x depth)
- 350mm distance between holders (centre to centre)
- Length varies per number of holders
- Price excludes fixing down bolts

Installation & use

Fix using 12mm bolts to a suitable concrete surface.
First stand should be no closer than 400mm from nearest obstruction.
This product is guaranteed for 12 months (if installed and used correctly).



www.autopa.co.uk
+44 (0)1788 550556

AUTOPA Limited
Cottage Leap, Rugby, Warwickshire CV21 3XP

