



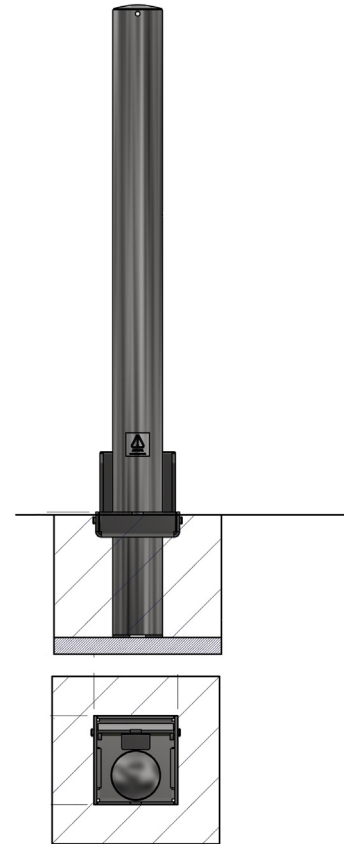
AUTOPA

Removable Bollard 1200mm Above Ground 76mm - 193mm Diameter Galvanised



The Removable Bollard offers an effective, simple and robust way to protect premises and vehicles. Removable Bollards are particularly suitable for locations where occasional access is required, the simple tab and padlock system provides an easy to operate solution for locking the bollard in place. The Removable Bollard is 1200mm above ground and is available in a range of outside tube diameter sizes from 76mm through to 193mm. Padlock to secure is available at an extra cost.

The Removable Bollard 1200 is ideal for protecting vehicle forecourts, commercial premises, car parks and domestic driveways and can be used in conjunction with fixed bollards as part of a security system for all types of premises.



<u>Part Number</u>	<u>Description</u>	<u>Lift Weight (kg)</u>	<u>Weight (kg)</u>
138 121 247	76mm Galvanised	7kg	11kg
138 121 288	90mm Galvanised	9kg	13kg
138 121 400	114mm Galvanised	13kg	21kg
138 121 500	127mm Galvanised	14kg	22kg
138 121 600	139mm Galvanised	24kg	32kg
138 121 657	152mm Galvanised	16kg	24kg
138 121 718	168mm Galvanised	29kg	42kg
138 121 817	193mm Galvanised	35kg	48kg

Product details

- 1200mm (height above ground)
- 3mm wall thickness - 76mm-127mm and 152mm
- 5mm wall thickness - 139mm, 168mm, and 193mm
- Socket - 220mm (below ground) - 76mm and 90mm
- Socket - 300mm (below ground) - 114mm - 193mm diameter
- Price excludes padlock to secure

Installation & use

Bolt down to a suitable concrete surface.

Telescopic, removable and concrete in are supplied with welded fixing spikes to ensure firm ground anchorage into concrete.

Telescopic, removable and concrete in require a suitable excavated hole for installing into concrete.

Products are guaranteed for 12 months (if installed and used correctly).



www.autopa.co.uk
+44 (0)1788 550556

AUTOPA Limited
Cottage Leap, Rugby, Warwickshire CV21 3XP

