

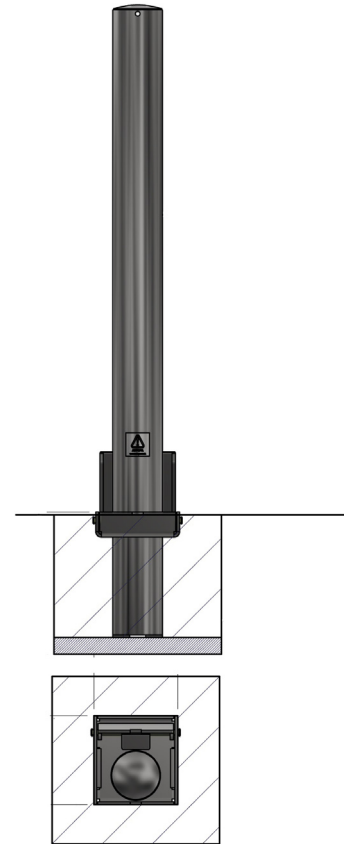


# Removable Bollard 1000mm Above Ground 60mm - 219mm Diameter Galvanised



The Removable Bollard offers an effective, simple and robust way to protect premises and vehicles. Removable Bollards are particularly suitable for locations where occasional access is required, the simple tab and padlock system provides an easy to operate solution for locking the bollard in place. The Removable Bollard is 1,000mm above ground and is available in a range of outside tube diameter sizes from 60mm through to 219mm. Padlock to secure is available at an extra cost.

The Removable Bollard 1000 is ideal for protecting vehicle forecourts, commercial premises, car parks and domestic driveways and can be used in conjunction with fixed bollards as part of a security system for all types of premises.



| <u>Part Number</u> | <u>Description</u> | <u>Lift Weight (kg)</u> | <u>Weight (kg)</u> |
|--------------------|--------------------|-------------------------|--------------------|
| 138 121 125        | 60mm Galvanised    | 6kg                     | 10kg               |
| 138 121 215        | 76mm Galvanised    | 7kg                     | 11kg               |
| 138 121 280        | 90mm Galvanised    | 8kg                     | 13kg               |
| 138 121 307        | 101mm Galvanised   | 10kg                    | 18kg               |
| 138 121 408        | 114mm Galvanised   | 11kg                    | 19kg               |
| 138 121 507        | 127mm Galvanised   | 12kg                    | 20kg               |
| 138 121 611        | 139mm Galvanised   | 22kg                    | 30kg               |
| 138 121 677        | 152mm Galvanised   | 14kg                    | 22kg               |
| 138 121 705        | 168mm Galvanised   | 26kg                    | 39kg               |
| 138 121 800        | 193mm Galvanised   | 31kg                    | 44kg               |
| 138 121 919        | 219mm Galvanised   | 35kg                    | 48kg               |

## Product details

- 1000mm (height above ground)
- 3mm wall thickness - 60mm-127mm and 152mm
- 5mm wall thickness - 139mm, 168mm - 219mm
- Socket - 220mm (below ground) - 60mm - 90mm diameter
- Socket - 300mm (below ground) - 101mm - 219mm diameter
- Price excludes padlock to secure

## Installation & use

Bolt down to a suitable concrete surface.  
Telescopic, removable and concrete in are supplied with welded fixing spikes to ensure firm ground anchorage into concrete.  
Telescopic, removable and concrete in require a suitable excavated hole for installing into concrete.  
Products are guaranteed for 12 months (if installed and used correctly).



[www.autopa.co.uk](http://www.autopa.co.uk)  
+44 (0)1788 550556

AUTOPA Limited  
Cottage Leap, Rugby, Warwickshire CV21 3XP

