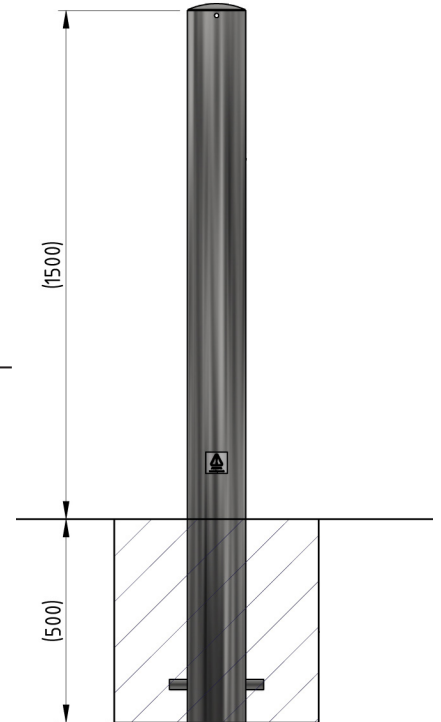




# Plain Round Bollard 1500mm Above Ground 101mm - 204mm Diameter Stainless Steel



AUTOPA's range of Plain Round Stainless Steel Bollards is a simple and elegant way of controlling vehicle parking and access. Plain Round Stainless Steel Bollards are ideal for use around pedestrian precincts, shops, pavements, play and parking areas, as part of traffic calming measures, pedestrianisation schemes and as a deterrent to ram-raiders.

The complete range of Plain Round Stainless Steel Bollards is available in diameters 101mm, 154mm and 204mm and are available with extended legs for casting into concrete or with a flange plate for bolting down.

Plain Round Stainless Steel Bollards are available in Grade 304 or Grade 316 Stainless Steel.

<u>Part Number</u>	<u>Description</u>	<u>Weight (kg)</u>
138 125 105	101mm Stainless Steel Grade 304 - Concrete In	10kg
138 125 151	154mm Stainless Steel Grade 304 - Bolt Down	10kg
138 125 152	154mm Stainless Steel Grade 304 - Concrete In	10kg
138 125 216	204mm Stainless Steel Grade 304 - Concrete In	12kg

## Product details

- 2mm wall thickness
- Concrete in 500mm (below ground)
- 3 bolts required per bollard (bolt down)
- Round flange plate – 250mm x 5mm – 154mm diameter

## Installation & use

Bolt down to a suitable concrete surface.  
Telescopic, removable and concrete in are supplied with welded fixing spikes to ensure firm ground anchorage into concrete.  
Telescopic, removable and concrete in require a suitable excavated hole for installing into concrete.  
Products are guaranteed for 12 months (if installed and used correctly).



[www.autopa.co.uk](http://www.autopa.co.uk)  
+44 (0)1788 550556

AUTOPA Limited  
Cottage Leap, Rugby, Warwickshire CV21 3XP

